



YLI ELECTRONIC

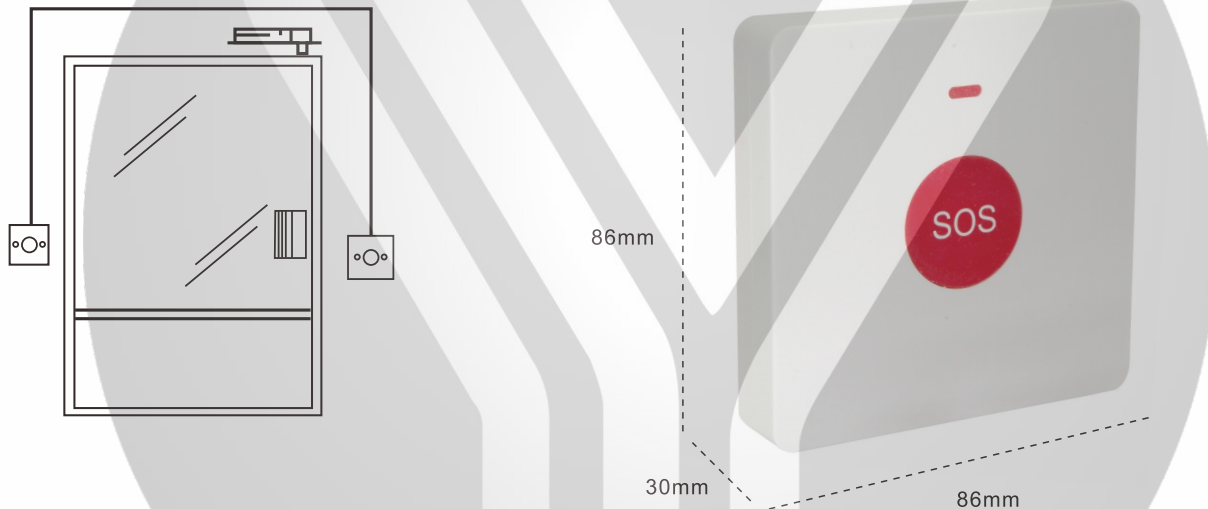


Wired press&pull rope emergency button Model: BT-28W

Specification

- Dimensions: 86Lx86Wx30H(mm)
- Type of alarm: Button+cable alarm in two ways
- on-off mode: Automatic rese
- Installation mode: Wall-mounted (fixed by screws)
- communication method: Wired, switching value
- Switch form: Normally open
- Shell material: ABS
- Color: White
- Weight: 0.035kg

Wiring Diagram



Installation

Connect to: alarm host, fire host, access control controller and other signal access points



L2 (Switch output)

L1 (Switch output)